

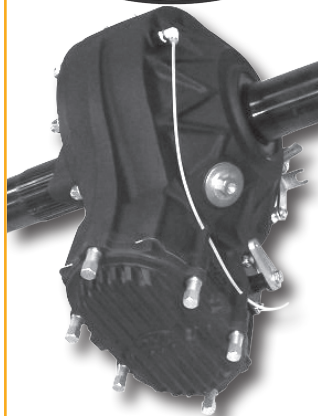


QLD SPEEDWAY SPARES

speedway specials
newsletter

* ALL PRICES INCLUDE GST

p | 07 3808 4333



DMI CLEARANCE

QTY	PART #	DESCRIPTION	PRICE each
10	DMIGR-600	DMI HI TEMP GREASE FOR DRIVELINES (CARTRIDGE).....	\$20
6	DMILRC-2000	DMI MICRO DELUXE ALUMINIUM SPINDLE.....	\$125
22	DMILRC-2036	DMI MICRO FRONT SPINDLE NUT.....	\$22.50
26	DMILRC-2039	DMI 600 MICRO STEEL KINGPIN.....	\$25.00
12	DMIMRC-2390	DMI MIDGET TORQUE TUBE.....	\$150
5	DMIMRC-2100	DMI MIDGET SINGLE STEERING ARM.....	\$65
6	DMIMRC-2430	DMI MIDGET HOLLOW STEEL DRIVE SHAFT.....	\$130
5	DMIMRC-2590	DMI MIDGET 14PC 31 SPLINE SPACER KIT.....	\$250
5	DMISRC-1000	DMI WILLWOOD 1" MASTER CYLINDER KIT STYLE 260-3378....	\$85
3	DMISRC-2130	DMI FRONT TORSION ARM SHORT.....	\$50
4	DMISRC-2932	DMI CLAMP SPLINED INBOARD ROTOR MOUNT 8" x 7" BC.....	\$295
2	DMISRC-2125	DMI RIGHT FRONT TORSION ARM 10 DEG BROACH.....	\$55
1	DMIRRC-4000	DMI 4.86:1 COMPLETE REAR END WITH 2.055" AXLE.....	\$2850
1	DMIRRC-4000	DMI 4.86:1 COMPLETE REAR END WITH 1.875" AXLE.....	\$2750

KAEDING CLEARANCE

QTY	PART #	DESCRIPTION	PRICE each
1	HRP-6010	HRP REAR END SQUARING TOOL.....	\$60
3	HRP-6261	HRP FUEL FUNNEL WALL RACK "D" SHAPE.....	\$69
2	HRP-6350	HRP TORSION BAR RACK.....	\$162
4	HRP-8053	HRP NOSE WING MOUNT, TORSION TUBE STYLE.....	\$35
4	KPC-5108	KAEDING ENGINE CONTAINER (3x BB CHEV 1x SB CHEV).....	\$220
1	KPC-CPT-33A	KAEDING PLASTIC INJECTOR STACK PLUGS, 2-7/8".....	\$7.85 set



KINSER CLEARANCE

QTY	PART #	DESCRIPTION	PRICE each
2	KIN-4BSTOCK-AF	KINSER 4 BARREL AIR CLEANER ASSEMBLY.....	\$100
2	KIN-4BSTOCK-FE	KINSER 4 BARREL AIR CLEANER FILTER ELEMENT.....	\$40
4	KIN-4BSTOCK-OW	KINSER 4 BARREL AIR CLEANER OUTER WEAR.....	\$36
1	KIN-DWARF-AF	KINSER DWARF AIR CLEANER ASSEMBLY.....	\$40
1	KIN-KART-AF-5	KINSER 5" DIAMETER KART AIR CLEANER ASSEMBLY.....	\$50
1	KIN-KART-AF-7	KINSER 7" DIAMETER KART AIR CLEANER ASSEMBLY.....	\$50
2	KIN-MIDGET-CF	KINSER MIDGET CARBON FIBRE AIR CLEANER ASSEMBLY.....	\$250
5	KIN-MIDGET-FE	KINSER MIDGET AIR CLEANER ELEMENT.....	\$50
2	KIN-MIDGET-FG	KINSER MIDGET FIBREGLASS AIR FILTER ASSEMBLY.....	\$180
2	KIN-MIDGET-OW	KINSER MIDGET AIR CLEANER OUTER WEAR.....	\$30
1	KIN-MINSPRINT-AF	KINSER MINI SPRINT AIR FILTER ASSEMBLY.....	\$160
1	KIN-SPRINT-CF	KINSER CARBON FIBRE SPRINTCAR AIR CLEANER.....	\$440
3	KIN-SPRINT-LX	KINSER SPRINTCAR AIR FILTER WITH LEXAN BOTTOM.....	\$220
22	KIN-SPRINT-OW	KINSER SPRINTCAR FILTER OUTERWEAR.....	\$48
6	KIN-SPRINT-QE	KINSER SPRINTCAR AIRCLEANER OUTER ELEMENT.....	\$47



OUTERWEARS CLEARANCE

QTY	PART #	DESCRIPTION	PRICE each
10	OUT-10-1004-01	OUTERWEARS BLACK, SUIT 14x5 ROUND ELEMENT, NO TOP.....	\$20
12	OUT-10-1016-03	OUTERWEARS RED, SUIT SPRINTCAR AIRBOX RANDY'S/K&N.....	\$44
10	OUT-10-1018-01	OUTERWEARS BLACK, 3" BREATHER, NO TOP.....	\$11
10	OUT-10-1100-02	OUTERWEARS BLUE, SUIT 3" BREATHER, W/TOP.....	\$11
10	OUT-10-1141-01	OUTERWEARS BLACK, SUIT 14x3 ROUND ELEMENT, NO TOP.....	\$20
14	OUT-10-1188-01	OUTERWEARS BLACK, SUIT 3" HOODED BREATHER.....	\$11
10	OUT-10-1657-01	OUTERWEARS BLACK, SUIT SPRINTCAR AIRBOX 10"x10"x8".....	\$22
10	OUT-11-2325-12	OUTERWEARS SPRINTCAR RADIATOR SCREEN COMBO KIT.....	\$77
15	OUT-30-1016-01	OUTERWEARS BLACK, SCRUB BAG SPRINTCAR AIRBOX.....	\$28
10	OUT-30-1296-01	OUTERWEARS BLACK, SCRUB BAG SUIT MIDGET COAST FILTER.....	\$26



WINTERS CLEARANCE

QTY	PART #	DESCRIPTION	PRICE set
1	WIN-4431	WINTERS 4400 MIDGET GEAR SET #31.....	\$145
2	WIN-8503	WINTERS 8500 GEAR SET #3.....	\$110
1	WIN-8506	WINTERS 8500 GEAR SET #6.....	\$110
1	WIN-8511	WINTERS 8500 GEAR SET #11.....	\$150
1	WIN-8513	WINTERS 8500 GEAR SET #13.....	\$110
1	WIN-8517	WINTERS 8500 GEAR SET #17.....	\$140
3	WIN-8518	WINTERS 8500 GEAR SET #18.....	\$110
2	WIN-8518A	WINTERS 8500 GEAR SET #18A.....	\$110

SANDER CLEARANCE

QTY	PART #	DESCRIPTION	PRICE each
6	SAN10-062-DN	LEFT REAR WHEEL 10X8X6, NO LOCK.....	\$197
5	SAN10-073-DN	DIRECT MOUNT WHEEL 10X7X3, NO LOCK.....	\$210
9	SAN10-082-SN	LEFT REAR WHEEL 10X8X6, NO LOCK.....	\$295
5	SAN10-102-SO2	RIGHT WHEEL 10X10X2, #2 LOCK.....	\$498
2	SAN10-103-SO2	RIGHT WHEEL 10X10X3, #2 LOCK.....	\$498

VORTEX CLEARANCE

QTY	PART #	DESCRIPTION	PRICE each
10	VRP2003	VORTEX "MAX" TOP WING, INTERMEDIATE DISH, NO RUDDER.....	\$960
4	VRP2000-D	VORTEX CLASSIC, STANDARD DISH, WITH RUDDERS AND DIMPLES.....	\$975
5	VRP2001-D	VORTEX OUTLAW DEEP DISH, WITH RUDDERS AND DIMPLES.....	\$1050
3	VRP4000	VORTEX REAR WING STANDS, AERO X STYLE.....	\$325
7	VRP4001	VORTEX REAR WING STANDS, TUBE X STYLE.....	\$155
8	VRP1001-NC	VORTEX FRONT WING CARBON CAP.....	\$50
11	VRP2000-NC	VORTEX TOP WING CARBON CAP.....	\$65
8	VRP1001	VORTEX CENTRE FRONT WINGS.....	\$135

MISCELLANEOUS CLEARANCE

QTY	PART #	DESCRIPTION	PRICE
2	QA1 6093-8	QA1 ALUMINIUM LARGE BODY SHOCK, 3-8.....	\$180
1	QA1 6094-6	QA1 ALUMINIUM LARGE BODY SHOCK, 4-6.....	\$180
1	QA1 6065	QA1 ALUMINIUM LARGE BODY SHOCK, STRAIGHT 5.....	\$180
1	QA1 6096	QA1 ALUMINIUM LARGE BODY SHOCK, STRAIGHT 6.....	\$180
1	SPEEDWERX-CT	SPEEDWERX COIL SPRING TESTER.....	\$550
2	SPIKE-XFLOW	SPRINTCAR RADIATOR, X-FLOW, 29MM.....	\$500
25	TOWEL-55	SCOTT SHOP TOWEL, 55 SHEET ROLL.....	\$3.75
72	TOWEL-BOUNTY	BOUNTY SUPER DUTY SHOP TOWEL ROLL.....	\$3.50
1	WEL-735-5175-5	WELD WHEEL 17X5, 5" OFFSET.....	\$695
7	WU-01	WINGS UNLIMITED SPRINTCAR TOP WINGS.....	\$775ea or 2 for \$1500
2	ZEM-32308SP	ZEMCO SPRINTCAR HEADER 2" PRIMARY TO 3 1/2" COLLECTOR.....	\$295



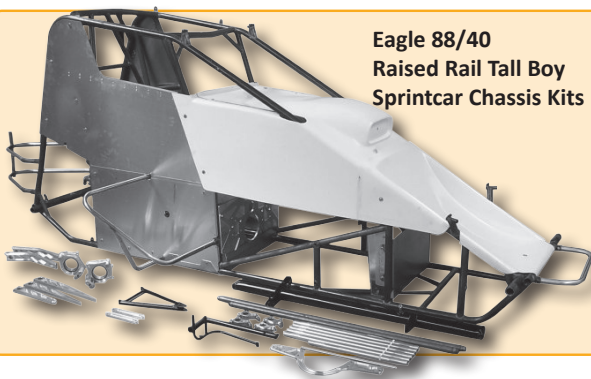
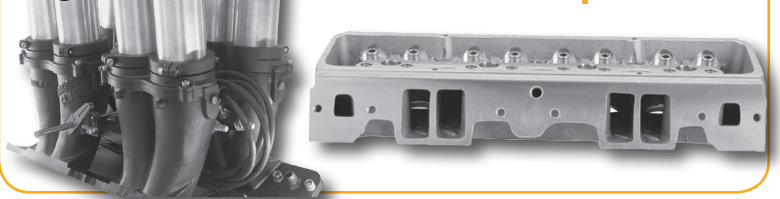
IN STOCK NOW! XR-2 REARENDS



The BullDog XR-2 is the rear for the 21st century. The XR-2 saves 6 1/2 lbs. over the XR-1 while incorporating 95% of the same components. The XR-2 utilizes the same dependable ring and pinion as the XR-1. The new BullDog XR-2 the premier rear for sprint car racing.

ARRIVING SOON!

ASCS 360 Sprintcar Cylinder Heads & Kinsler Injectors



Eagle 88/40 Raised Rail Tall Boy Sprintcar Chassis Kits

IN STOCK NOW!

> 2009 EAGLE CHASSIS

